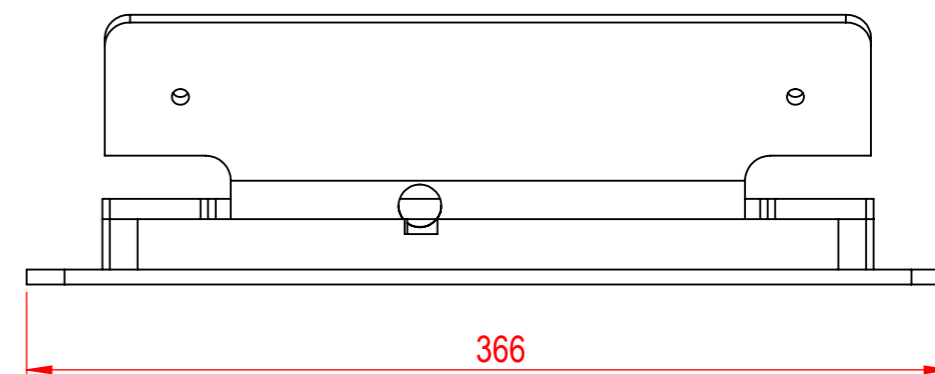
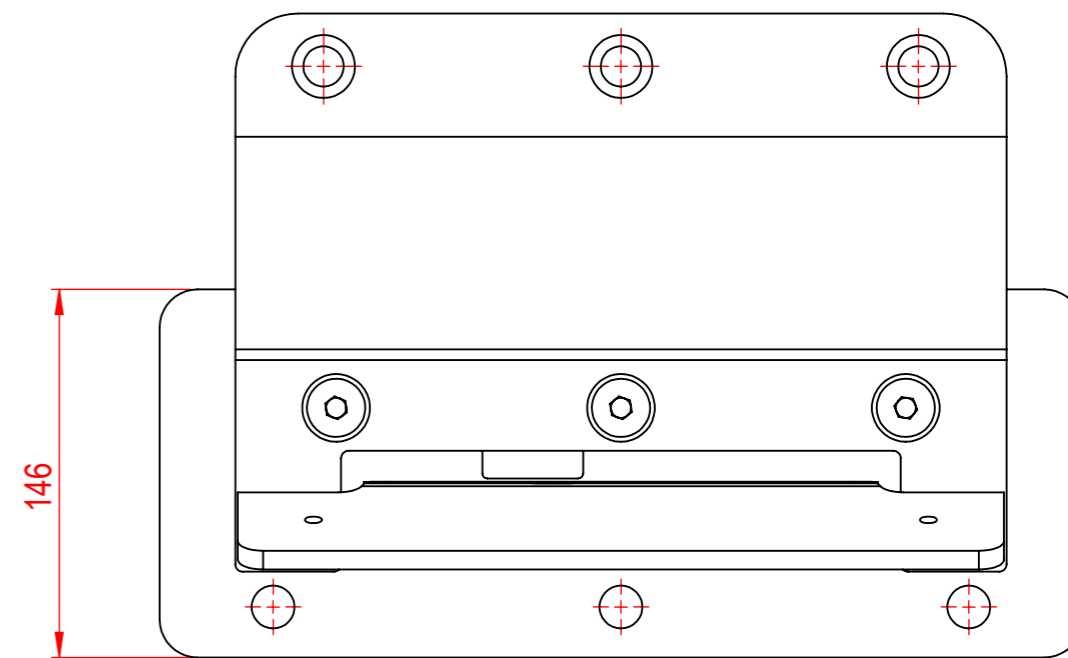
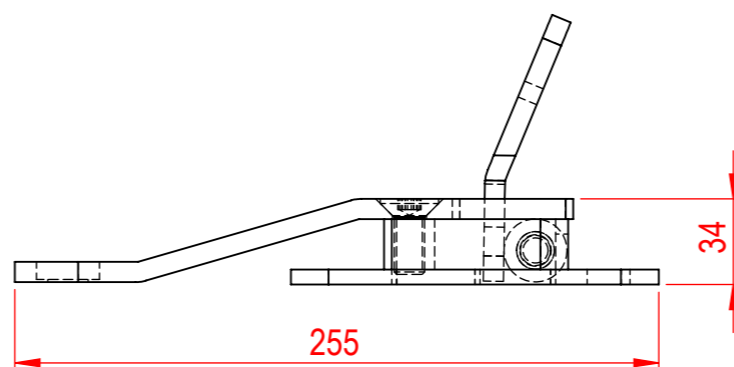
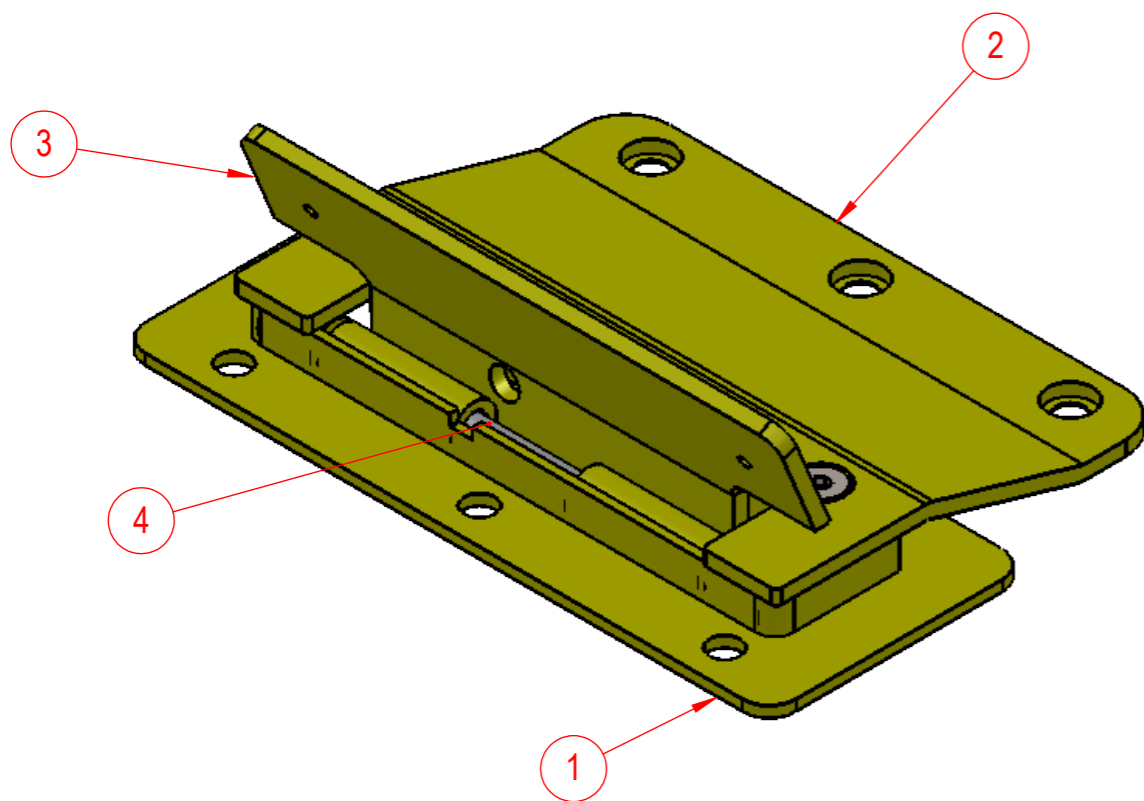


ITEM NO.	PART NUMBER	DESCRIPTION	QTY.
1	NMFP 03-03	BASE SUPPORT	1
2	NMFP 03-02	BASE RAMP	1
3	NMFP 03-04	FLOW PLATE	1
4	NMFP 03-004	HINGE ROD	1
5	ISO 10642 - M12 x 30 - 30N	Countersunk Screws	3



UNLESS OTHERWISE SPECIFIED: DIMENSIONS ARE IN MILLIMETRES.			FINISH: Polyester Powdercoated		DEBURR AND BREAK SHARP EDGES		DO NOT SCALE DRAWING		REVISION	
TOLERANCES: LINEAR: ± ANGULAR: ± BENDS: ±										
DRAWN F. Groom			SIGNATURE <i>F. Groom</i>		DATE 13/01/2017		TITLE: Standard Flow Plate			
CHK'D							3rd Angle Projection			
APPV'D							MATERIAL: Low Carbon Steel		DWG NO. NMFP 03-01	
MFG							WEIGHT:		SCALE: 1:3	
Q.A									SHEET 1 OF 1	
									A3	